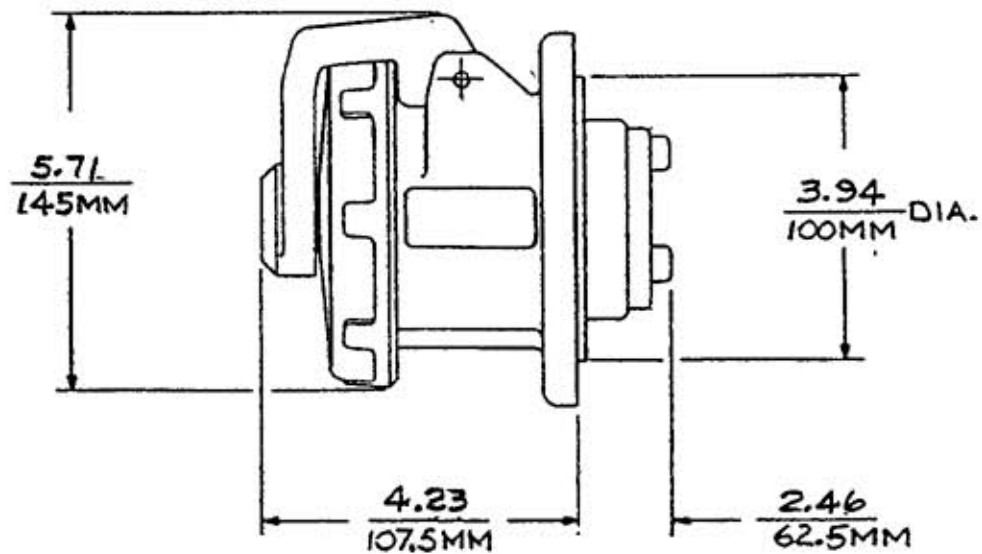
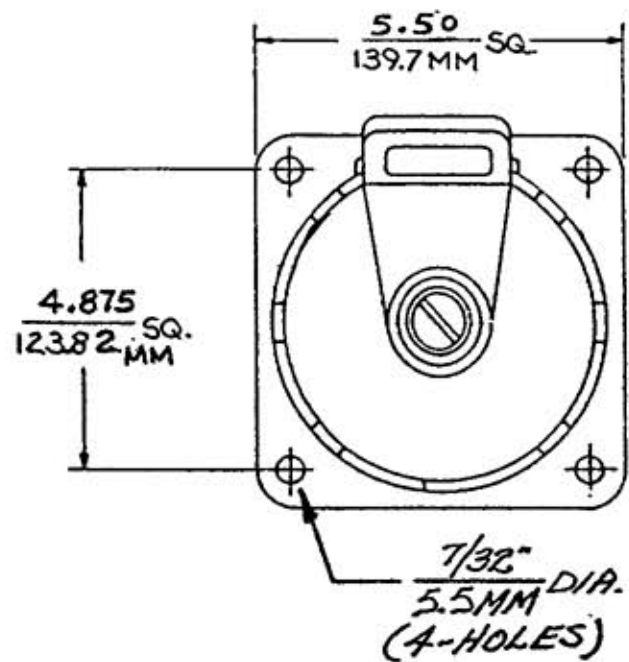


M-7671 2



LIST OF PARTS		
DESCRIPTION	MATERIAL	FINISH
HOUSING	NYLON	
INTERIOR	THERMOSET	
PINS	BRASS	NICKEL
TERMINAL SCREWS	STAIN. STL.	
COVER	POLYESTER	
COVER SCREW	BRASS	NICKEL
COVER SPRING	STAIN. STL.	
GASKET	RUBBER	
DISC	POLYCARB	
ARM	POLYESTER	
HINGE PIN	STAIN. STL.	
HINGE SPRING	STAIN. STL.	
ASSY SCREW	STAIN. STL.	

DIMENSION SHEET FOR CAT. NO.

REPAIRABLE NON-REPAIRABLE

B

M-7671

2

CAT. No.	CONFIGURATION	RATING	CAT. No.	CONFIGURATION	RATING
			M5100B7R		100A 3ØY 277/480 VAC
			M5100B9R		100A 3ØY 120/208 VAC

2	ADDED CAT. # M5100B7R, "NICKEL" TO SLEEVE FINISH IN TABLE, AND "(REVERSE SERVICE)" TO TITLE PER DCN #12377. JMN	CJC	6/6/05
1	RELEASED PER DCN 4455/2/05		8-22-96
SYM	REVISIONS	APP	DATE

THE DESIGN AND DIMENSIONS OF THE PRODUCT SHOWN ON THIS DRAWING ARE SUBJECT TO CHANGE WITHOUT NOTICE.

NOTES:
1. ALL DECIMAL DIM. TOLS. TO BE ±.03

TITLE
100A. 5 WIRE
PIN & SLEEVE INLET
(REVERSE SERVICE)

TOLERANCES UNLESS OTHERWISE SPECIFIED	WIRING DEVICE DIVISION HARVEY HUBBELL, INC. BRIDGEPORT, CONN.	
FRACTIONS ± 1/64	DR. BY <i>BJS</i>	APP. BY
DECIMALS	TR. BY	SCALE 1:1
ANGLES ± 2°	CHK'D BY	DATE 8-22-96